



19" Drawer 2U

Technical Features

1.5mm steel

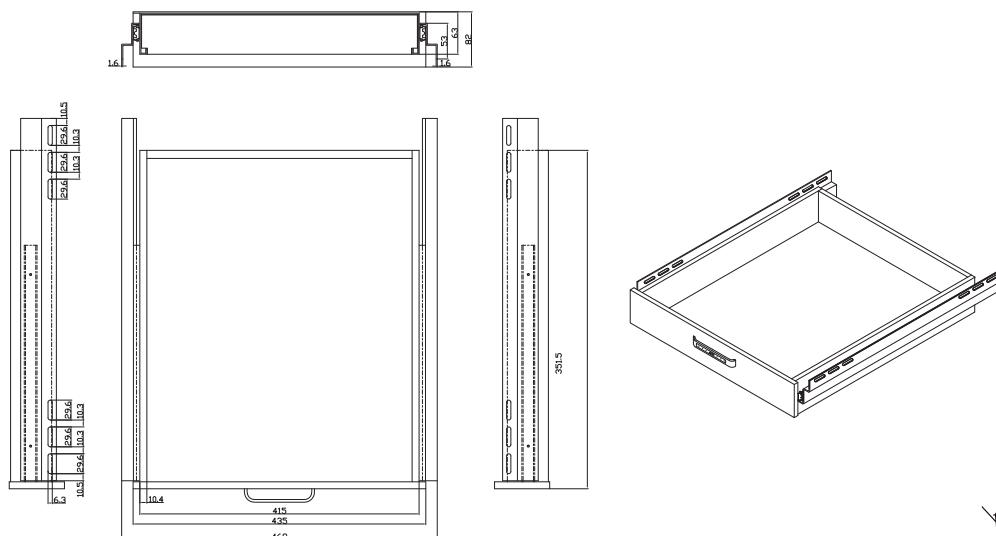
Maximum static load 35kg

Electrostatic powder paint

Part-No. Black = B Grey = G	Height U	Depth (D) mm	Width (W) mm	Inner width (W) mm	Weight kg	EAN Code
SF161B	2U	500	483	435	6.36	4052792011265
SF161G	2U	500	483	435	6.36	4052792016666

Technical Drawings

SF161B/SF161G



www.logilink.com



RoHS
compliant



Made in China

* The specifications and pictures are subject to change without notice.
*All trade names referenced are the registered trademark of their respective owners.

Package Contents

1 x 19" Drawer 2U

Packaging Informations

Packing Dimension	500 x 483 x 90mm
Packing Weight	7kg
Carton Dimension	510 x 600 x 400mm
Carton Q'ty	5pc
Carton Weight	36kg

