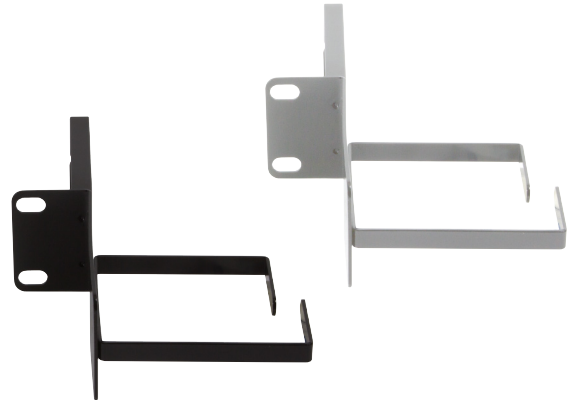


## 19" Cable Management L-Type 1U



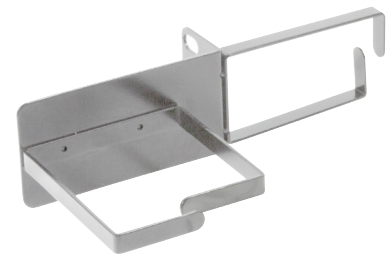
### Technical Features

19" L-Type cable management bracket 1U

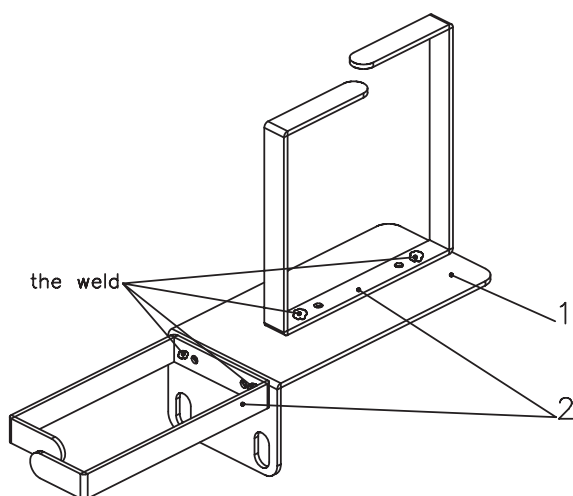
With 2 metal brackets 77 x 40 u. 77 x 70mm

L-Type design for front and side cable mounting

Part-No.	Color	EAN Code
OR113B	RAL9005 Black	4052792044003
OR113G	RAL7035 Light Grey	4052792043990

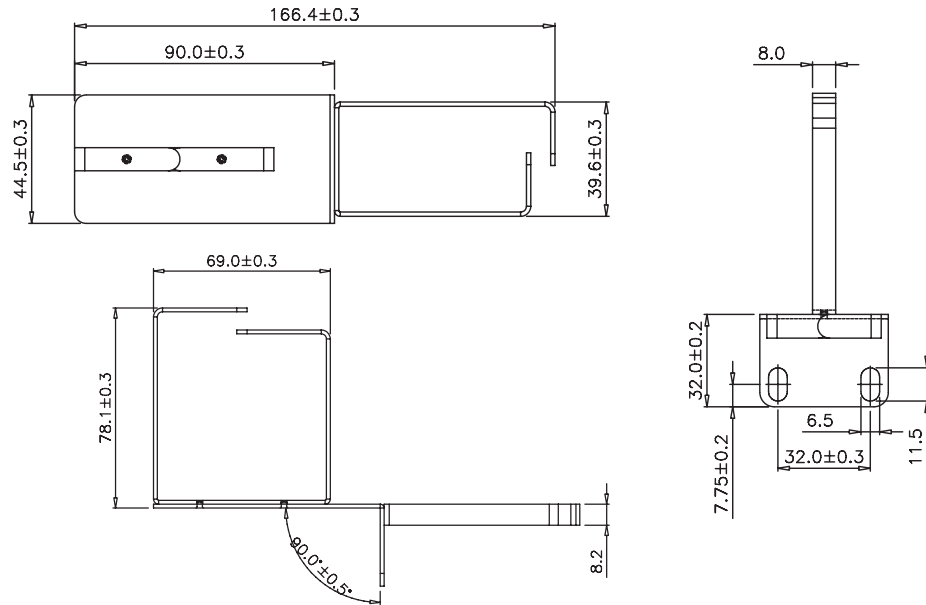


### Technical Drawings



### Material

1. Panel: SPCC, 1.5mm Thickness with Black (RAL9005) or Light Grey (RAL7035) color painted
2. Cable Holder: SPCC, 1.5mm Thickness with Black (RAL9005) or Light Grey (RAL7035) color painted



Unit: mm

## Package Contents

19" Cable Management L-Type 1U x1

## Packaging Informations

Packing Dimension	180 x 250 x 0.06mm
Packing Weight	0.14kg
Carton Dimension	500 x 380 x 280mm
Carton Q'ty	60pcs
Carton Weight	10.38kg

