



RJ45 T-Adapter 2x ISDN

Part no.: NP0045

Technical Features

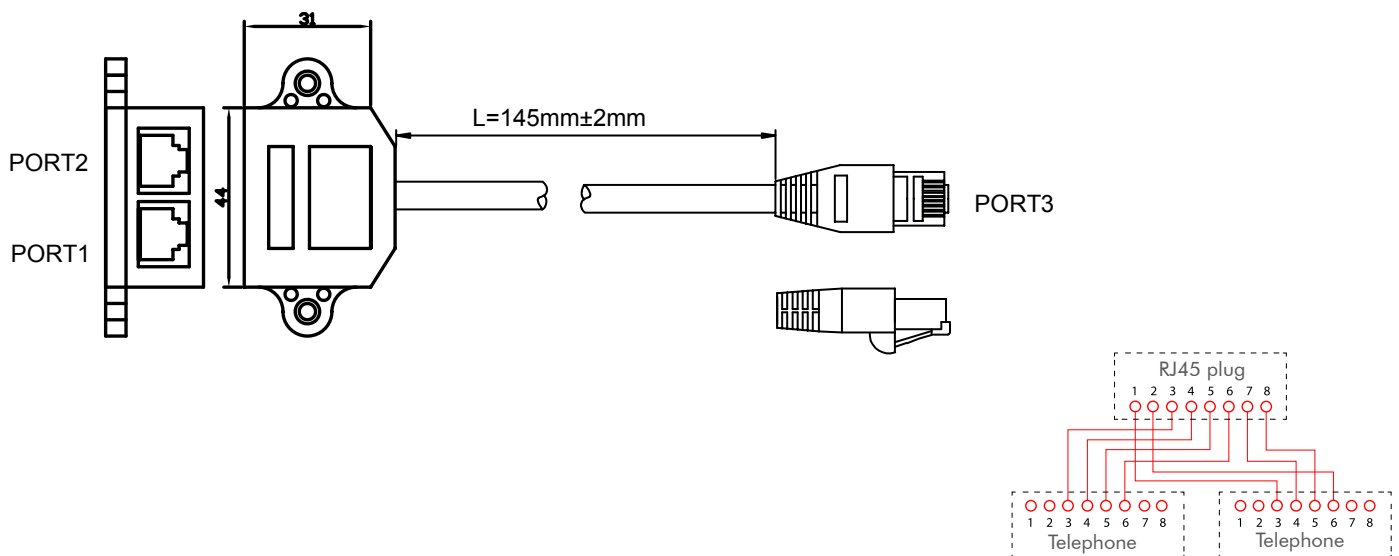
2x ISDN output, shielded

For TP cable sharing

2 Adapters needed

Metallized housing with 15 cm cable

Technical Drawings



NP0045



4 052792 003765

Made in China

www.logilink.com



RoHS
compliant



* The specifications and pictures are subject to change without notice.
*All trade names referenced are the registered trademark of their respective owners.

Package Contents

Packaging Informations

Packing Dimension	150 x 50 x 25mm
Packing Weight	0.05kg
Carton Dimension	53.5 x 36 x 31mm
Carton Q'ty	200pcs
Carton Weight	6.5kg

NP0045



4 052792 003765

Made in China

www.logilink.com



RoHS
compliant



* The specifications and pictures are subject to change without notice.
*All trade names referenced are the registered namework of their respective owners.