



Cat.5e RJ45 Inline Coupler STP

Part no.: NP0031

Technical Features

Modular coupling for network cables

Adapter also suitable for ISDN cables

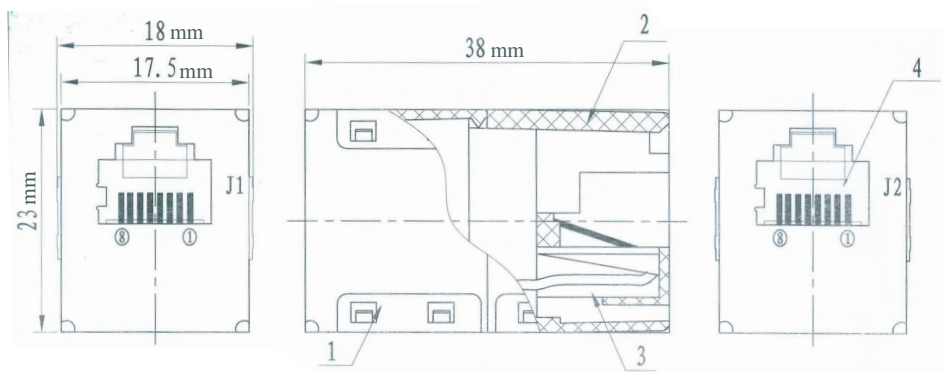
2x RJ45 shielded sockets

Allocation: 1:1

Compliance with CAT5e standard

Metal housing

Technical Drawings



Wiring

J1		J2
①	blue	①
②	orange	②
③	black	③
④	red	④
⑤	green	⑤
⑥	yellow	⑥
⑦	brown	⑦
⑧	white	⑧

NP0031



4 260113 564547

Made in China

www.logilink.com



RoHS
compliant



* The specifications and pictures are subject to change without notice.
*All trade names referenced are the registered trademark of their respective owners.

Package Contents

Cat.5e RJ45 Inline Coupler STP x 1

Packaging Informations

Packing Dimension	33 x 16 x 20mm
Packing Weight	0.02kg
Carton Dimension	350 x 300 x 380mm
Carton Q'ty	500pcs
Carton Weight	10kg

NP0031



4 260113 564547

Made in China

www.logilink.com



RoHS
compliant



* The specifications and pictures are subject to change without notice.
*All trade names referenced are the registered namework of their respective owners.