

Keystone Coupler Fibre LC-Duplex Multimode

Part no.: NK0031

Technical Features

Inline Coupler LC-Duplex

LC duplex female to LC duplex female adapter

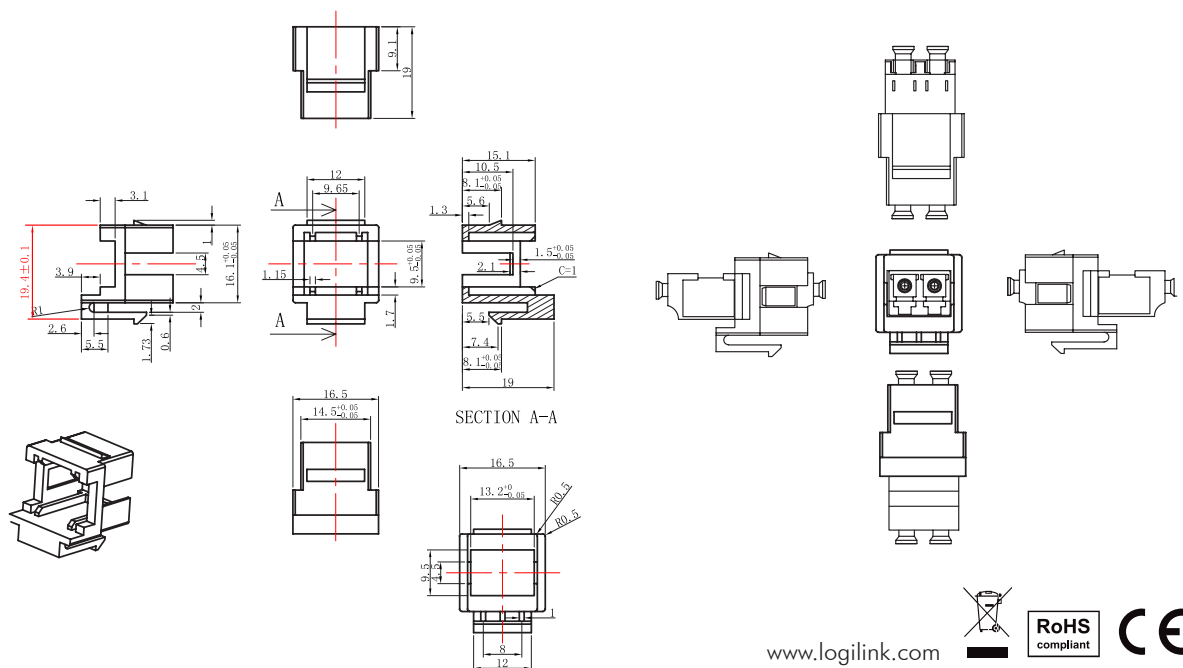
For multimode fiber with LC Connector

Ceramic sleeve, with dust cover

Dimensions ca. 29,2 x 22,1 x 17,8mm

Snap-in mounting, without flange

Technical Drawings



NK0031



4 052792 040708

Made in China

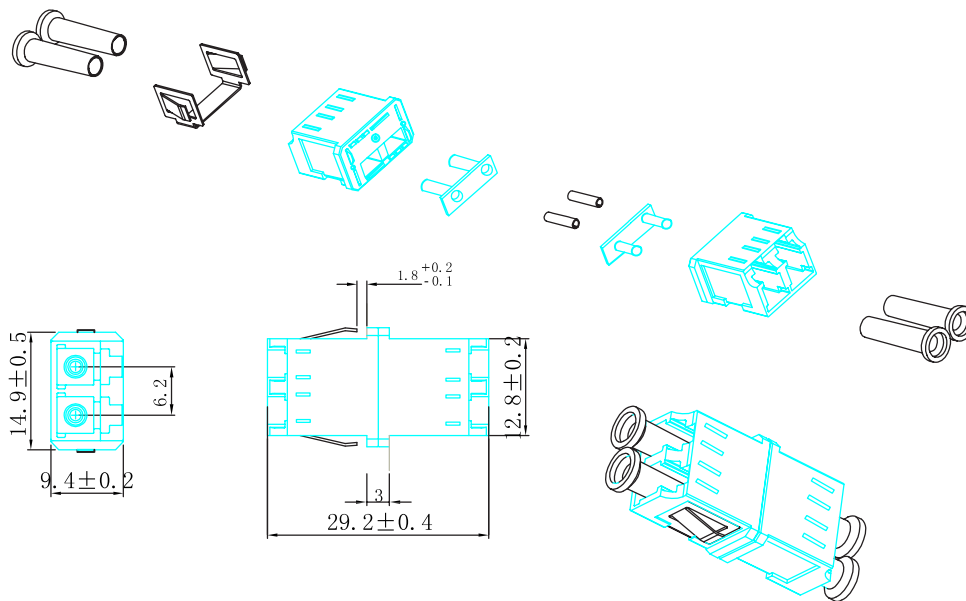
www.logilink.com



RoHS
compliant



* The specifications and pictures are subject to change without notice.
*All trade names referenced are the registered trademark of their respective owners.



Package Contents

Keystone Coupler Fibre LC-Duplex Multimode x 1

Packaging Informations

Packing Dimension	90 x 60 x 20mm
Packing Weight	0.007kg
Carton Dimension	450 x 450 x 250mm
Carton Q'ty	800pcs
Carton Weight	6.05kg



NK0031



4 052792 040708

Made in China

www.logilink.com



RoHS
compliant



* The specifications and pictures are subject to change without notice.
*All trade names referenced are the registered trademark of their respective owners.