

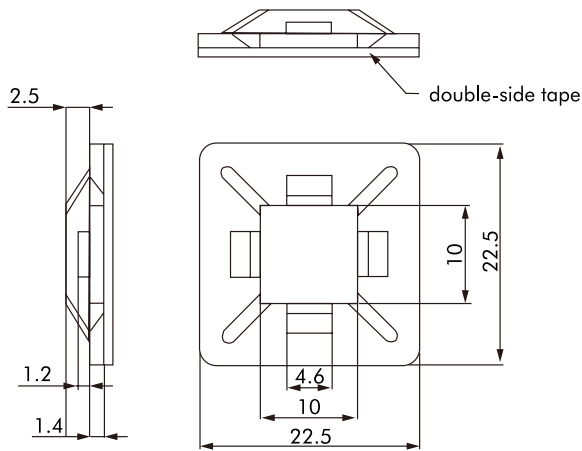


Art No. KAB0036

Cable Tie Mounts

Features:

- For the structured laying of cables or hoses
- Adhesive
- Dimensions: 22.5 x 22.5 mm
- Material: PA66
- Color: nature
- Pack q'ty: 100 pcs



Package Contents:

- 100 pcs Cable Tie Mounts

Packaging Information:

- Packing Dimension: 120 x 210mm
- Packing Weight: 0.0985kg
- Carton Dimension: 470 x 340 x 300 mm
- Carton Q'ty: 100pcs
- Carton Weight: 9kg



* The specifications and pictures are subject to change without notice.
 *All trade names referenced are the registered trademark of their respective owners.



RoHS
compliant



KAB0036

4 052792 002669

Made in China