

Canovate 19" Network Cabinet

This floor standing cabinet is a cost effective network rack cabinet system fulfills high density cabling and data center requirements. Helps simplify cable installation and maintenance while providing maximum cable capacity for your high-density cabling requirements. A wide range of cable management accessories is available to ensure perfect management of copper, fiber cables and 19" equipment.

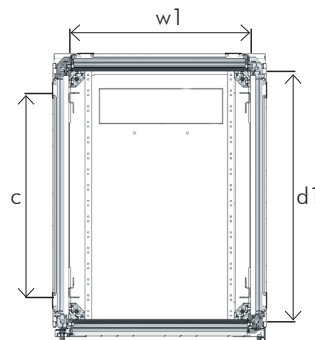
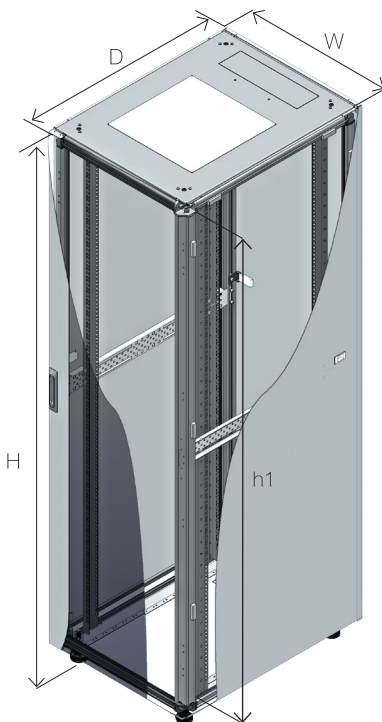


Technical Features

| | |
|-----------------------------|--|
| Material: | 1.2 - 1.5 mm steel |
| Maximum Static Load: | Up to 1500 kg, depending on model |
| Finish: | Electrostatic powder paint / Zinc-plated 19" rails |
| Color: | RAL 7035 light grey or RAL 9005 black |

Standard Configuration

- Front door with safety glass and swing-handle single point lock
- Solid side and rear panel with cylindrical lock and latches
- Internal top sheet with 3 cable entries and fan cut-outs
- 2 pairs of depth adjustable heavy duty 19" mounting rails
- Internal bottom sheet, 2 pairs of adjustable feet
- Color: RAL 7035 light grey or RAL 9005 black
- UL- and Gost-R certified



* The specifications and pictures are subject to change without notice.
 *All trade names referenced are the registered namework of their respective owners.

Canovate 19" Network Cabinet - RAL 9005 Black

| Height U | Outer Width (W) mm | Outer Depth (D) mm | Outer Height (H) mm | Inner Height (h1) mm | Inner Width (w1) mm | Inner Depth (d1) mm | 19" Rails Adjustable Depth Range (c) mm | Weight kg | Part No. | EAN Code |
|----------|--------------------|--------------------|---------------------|----------------------|---------------------|---------------------|---|-----------|----------|---------------|
| 16U | 600 | 600 | 878 | 718 | 503 | 550 | 123 - 373 | 53 | D16S66B | 8698800000027 |
| 16U | 600 | 800 | 878 | 718 | 503 | 750 | 123 - 573 | 61 | D16S68B | 8698800000102 |
| 22U | 600 | 600 | 1144 | 984 | 503 | 550 | 123 - 373 | 63 | D22S66B | 8698800000041 |
| 22U | 600 | 800 | 1144 | 984 | 503 | 750 | 123 - 573 | 71 | D22S68B | 8698800000126 |
| 22U | 600 | 1000 | 1144 | 984 | 503 | 950 | 123 - 773 | 85 | D22S61B | 8698800000188 |
| 22U | 800 | 800 | 1144 | 984 | 703 | 750 | 123 - 573 | 73 | D22S88B | 8698800000249 |
| 22U | 800 | 1000 | 1144 | 984 | 703 | 950 | 123 - 773 | 74 | D22S81B | 8698800000300 |
| 32U | 600 | 600 | 1588 | 1428 | 503 | 550 | 123 - 373 | 78 | D32S66B | 8698800000065 |
| 32U | 600 | 800 | 1588 | 1428 | 503 | 750 | 123 - 573 | 88 | D32S68B | 8698800000140 |
| 32U | 600 | 1000 | 1588 | 1428 | 503 | 950 | 123 - 773 | 90 | D32S61B | 8698800000201 |
| 32U | 800 | 800 | 1588 | 1428 | 703 | 750 | 123 - 573 | 103 | D32S88B | 8698800000263 |
| 32U | 800 | 1000 | 1588 | 1428 | 703 | 950 | 123 - 773 | 105 | D32S81B | 8698800000324 |
| 42U | 600 | 600 | 2033 | 1873 | 503 | 550 | 123 - 373 | 94 | D42S66B | 8698800000089 |
| 42U | 600 | 800 | 2033 | 1873 | 503 | 750 | 123 - 573 | 106 | D42S68B | 8698800000164 |
| 42U | 600 | 1000 | 2033 | 1873 | 503 | 950 | 123 - 773 | 114 | D42S61B | 8698800000225 |
| 42U | 800 | 800 | 2033 | 1873 | 703 | 750 | 123 - 573 | 122 | D42S88B | 8698800000287 |
| 42U | 800 | 1000 | 2033 | 1873 | 703 | 950 | 123 - 773 | 140 | D42S81B | 8698800000348 |

Canovate 19" Network Cabinet - RAL 7035 Light Grey

| Height U | Outer Width (W) mm | Outer Depth (D) mm | Outer Height (H) mm | Inner Height (h1) mm | Inner Width (w1) mm | Inner Depth (d1) mm | 19" Rails Adjustable Depth Range (c) mm | Weight kg | Part No. | EAN Code |
|----------|--------------------|--------------------|---------------------|----------------------|---------------------|---------------------|---|-----------|----------|---------------|
| 16U | 600 | 600 | 878 | 718 | 503 | 550 | 123 - 373 | 53 | D16S66G | 8698800000010 |
| 16U | 600 | 800 | 878 | 718 | 503 | 750 | 123 - 573 | 61 | D16S68G | 8698800000096 |
| 22U | 600 | 600 | 1144 | 984 | 503 | 550 | 123 - 373 | 63 | D22S66G | 8698800000034 |
| 22U | 600 | 800 | 1144 | 984 | 503 | 750 | 123 - 573 | 71 | D22S68G | 8698800000119 |
| 22U | 600 | 1000 | 1144 | 984 | 503 | 950 | 123 - 773 | 85 | D22S61G | 8698800000171 |
| 22U | 800 | 800 | 1144 | 984 | 703 | 750 | 123 - 573 | 73 | D22S88G | 8698800000232 |
| 22U | 800 | 1000 | 1144 | 984 | 703 | 950 | 123 - 773 | 74 | D22S81G | 8698800000294 |
| 32U | 600 | 600 | 1588 | 1428 | 503 | 550 | 123 - 373 | 78 | D32S66G | 8698800000058 |
| 32U | 600 | 800 | 1588 | 1428 | 503 | 750 | 123 - 573 | 88 | D32S68G | 8698800000133 |
| 32U | 600 | 1000 | 1588 | 1428 | 503 | 950 | 123 - 773 | 90 | D32S61G | 8698800000195 |
| 32U | 800 | 800 | 1588 | 1428 | 703 | 750 | 123 - 573 | 103 | D32S88G | 8698800000256 |
| 32U | 800 | 1000 | 1588 | 1428 | 703 | 950 | 123 - 773 | 105 | D32S81G | 8698800000317 |
| 42U | 600 | 600 | 2033 | 1873 | 503 | 550 | 123 - 373 | 94 | D42S66G | 8698800000072 |
| 42U | 600 | 800 | 2033 | 1873 | 503 | 750 | 123 - 573 | 106 | D42S68G | 8698800000157 |
| 42U | 600 | 1000 | 2033 | 1873 | 503 | 950 | 123 - 773 | 114 | D42S61G | 8698800000218 |
| 42U | 800 | 800 | 2033 | 1873 | 703 | 750 | 123 - 573 | 122 | D42S88G | 8698800000270 |
| 42U | 800 | 1000 | 2033 | 1873 | 703 | 950 | 123 - 773 | 140 | D42S81G | 8698800000331 |



* The specifications and pictures are subject to change without notice.
 *All trade names referenced are the registered trademark of their respective owners.