



Cat.7A 1200MHz LAN Cable on Spool with Cat.6A Keystone Jack and Face Plate, 90m, Orange

Technical Features

Mobile Spool for easy installation & transportation

S/FTP PiMF, 4x 2x AWG23/1, bare copper

LSZH jacket O.D. 8.2mm

With Cat.6A keystone jack and 86x86 mm face plate

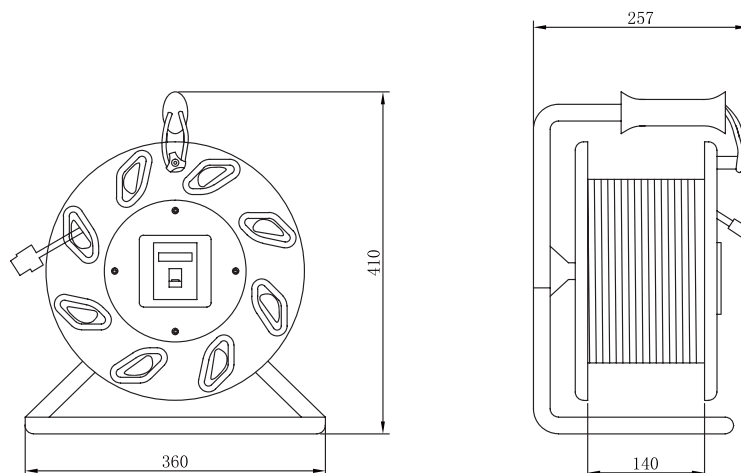
ISO/IEC 11801:2002, ISO/IEC EN 50173, EIA/TIA 568-C Cat.7A, IEC 60603-7-51

Supports PoE per IEEE 802.3af, PoE+ per IEEE 802.3at

Indoor use, operating temperature: -10 - 60°C

Cable color: Orange

Technical Drawings



CQ5090S



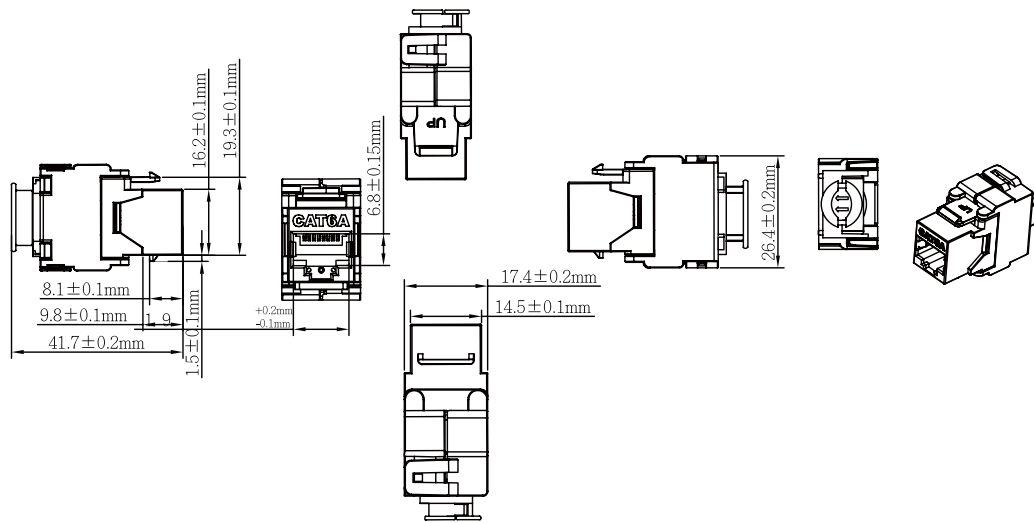
4 052792 039863

Made in China

www.logilink.de



* The specifications and pictures are subject to change without notice.
*All trade names referenced are the registered trademark of their respective owners.



Package Contents

Cat.7A S/FTP Cable Spool 90m x 1

Packaging Informations

Packing Dimension	435 x 395 x 295mm
Packing Weight	8kg
Carton Dimension	435 x 395 x 295mm
Carton Q'ty	1 pcs
Carton Weight	8kg



CQ5090S



4 052792 039863

Made in China

www.logilink.de



RoHS
compliant

* The specifications and pictures are subject to change without notice.
*All trade names referenced are the registered network of their respective owners.