



Solid Cable SF/UTP Cat.5e EconLine

Technical Features

Category 5e

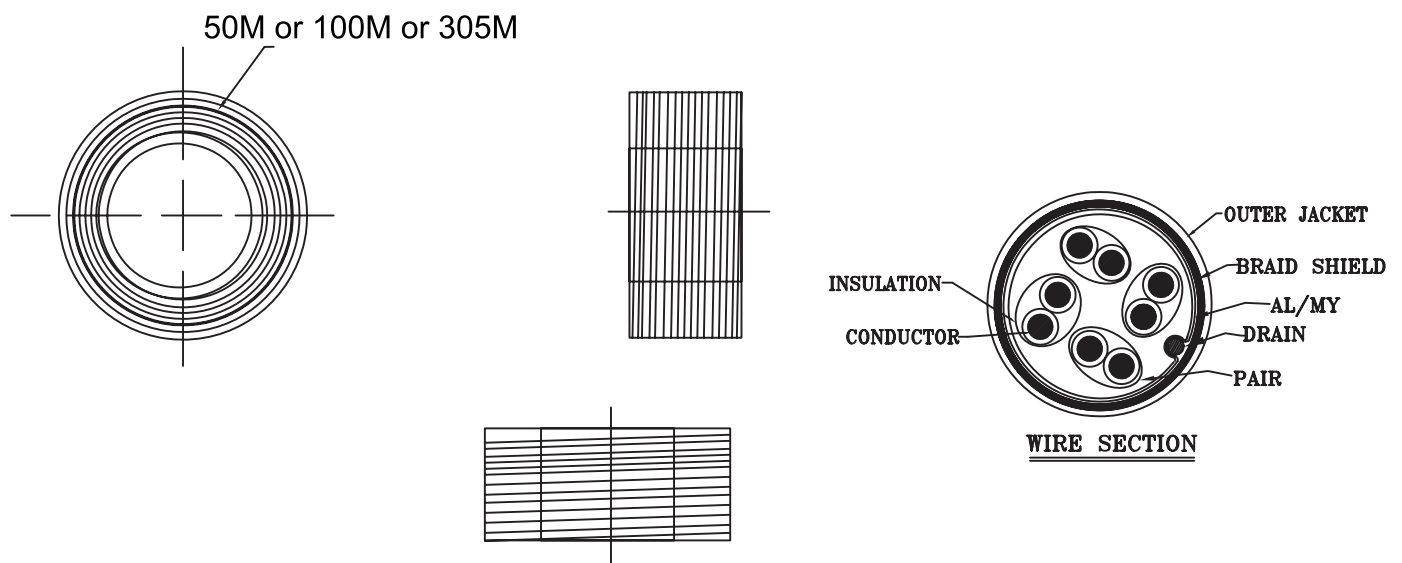
AWG 24 CCA

Double Shielded

PVC Jacket

Grey

Technical Drawings



www.logilink.com



RoHS
compliant



Made in China

* The specifications and pictures are subject to change without notice.
*All trade names referenced are the registered namework of their respective owners.

Length	Part no.	EAN Code
50 m	CPV0030	4260113568026
100 m	CPV007	4260113563281
305 m	CPV009	4260113563304
500 m	CPV0107	4052792030303

Package Contents

Solid Cable SF/UTP Cat.5e EconLine x 1

Packaging Informations(CPV0030)

Packing Dimension	Ø20 x 9mm
Packing Weight	1.14kg
Carton Dimension	420 x 360 x 210mm
Carton Q'ty	10pcs
Carton Weight	13.7kg

Packaging Informations(CPV007)

Packing Dimension	260 x 260 x 100mm
Packing Weight	2.58kg
Carton Dimension	540 x 280 x 320mm
Carton Q'ty	6pcs
Carton Weight	18kg



Packaging Informations(CPV009)

Packing Dimension	370 x 370 x 210mm
Packing Weight	7.7kg
Carton Dimension	455 x 385 x 385mm
Carton Q'ty	2pcs
Carton Weight	17.8kg

Packaging Informations(CPV0107)

Packing Dimension	30 x 35mm
Packing Weight	15kg
Carton Dimension	320 x 320 x 380mm
Carton Q'ty	1 pcs
Carton Weight	16kg

