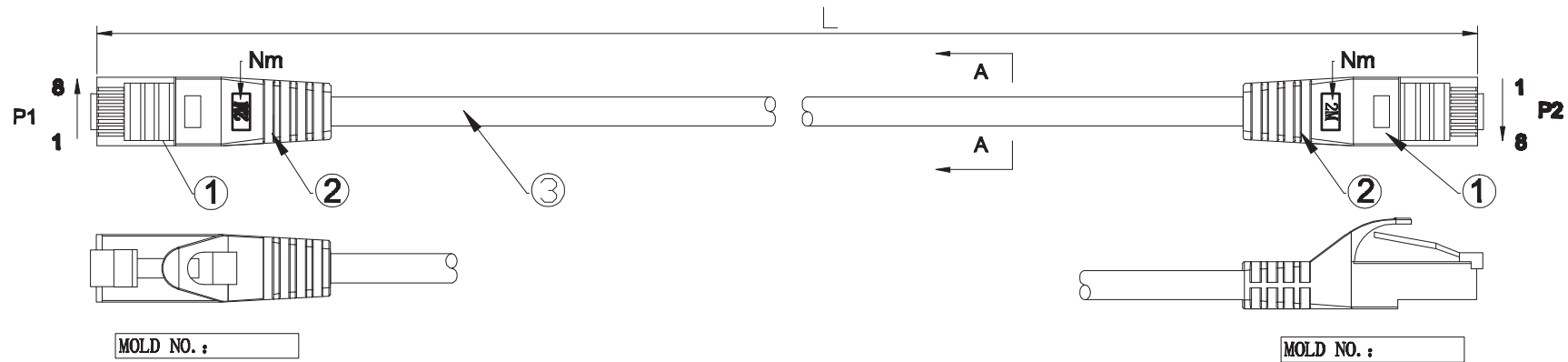
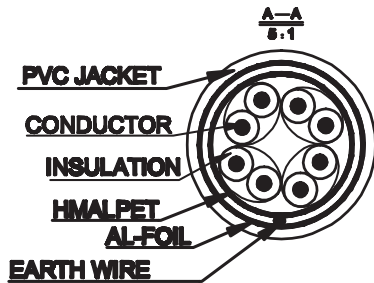
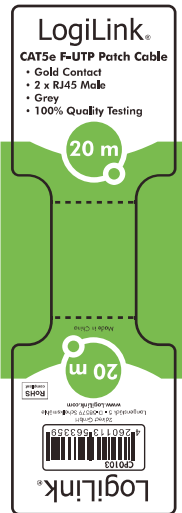


FILE AMEND NOTE	DATE	REV.
ORIGINAL EDITION	2012/06/24	A/0

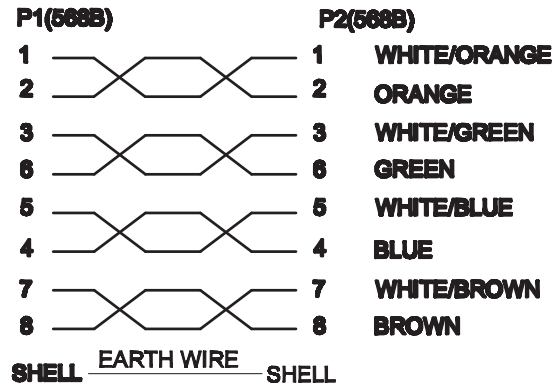


STICKER

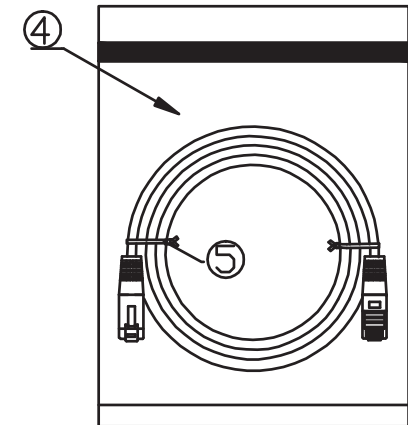


ITEM NO.	EAN CODE:	L
CP0102	4260113563342	15M
CP0103	4260113563359	20M
CP0104	4260113563366	30M
CP0105	4260113563373	50M
CP0124	4260113565223	100M
CP0229	4260113567043	0.25M

PIN OUT



PACKING DRAW:

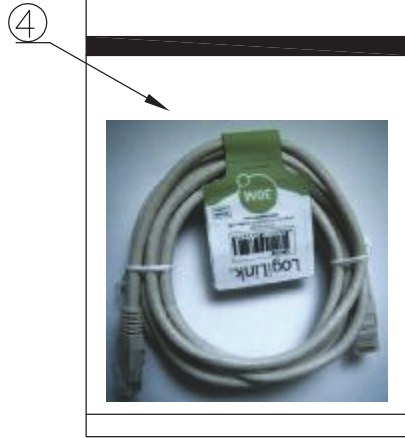


NOTE:

Electrical test:
100% open short & miss wire test;

DRAW No.		NAME	CAT.5e F-UTP Patch Cable	
CUSTOMER	2direct GmbH		MAPE	TOLERANCE
CUSTOMER No.				X ±1.00 XX ±0.50
APPROVE BY	CHECK BY	DRAW BY	SCALE	MM
			PAGE	1/1

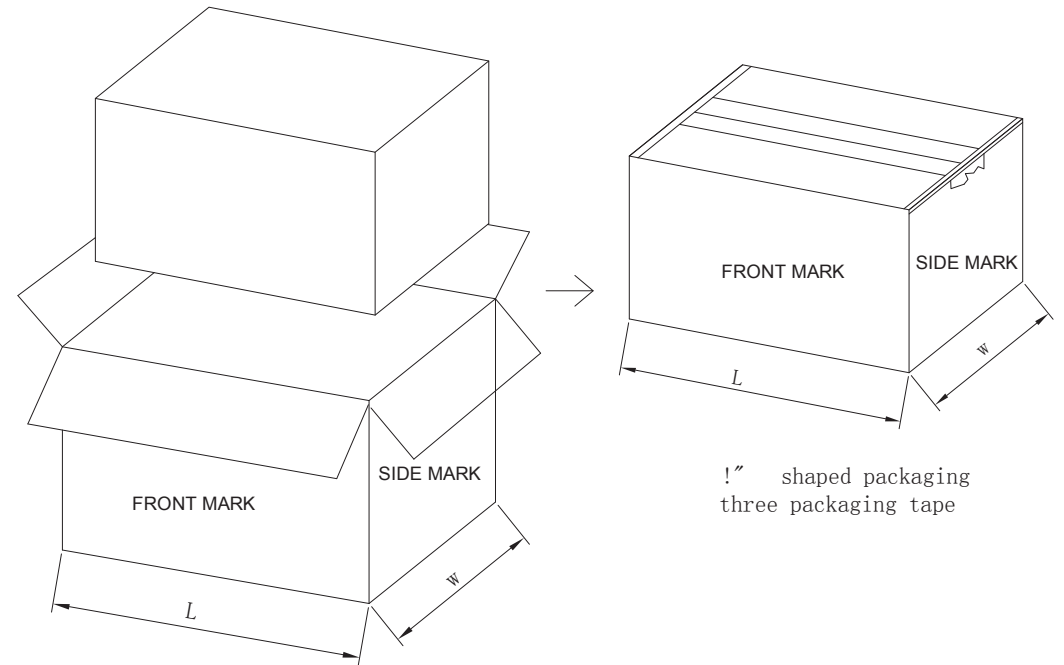
PACKING DRAW#



1PCS/BAG



L \$ 5M
10PCS/ BIG BAG
L % 5M
5PCS/ BIG BAG



! " shaped packaging
three packaging tape

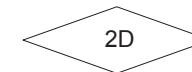
NOTE:

Electrical test#
100% open short & miss wire test;

MATERIAL LIST#

⑥	PRINTING	FTP CAT.5E 26AWG ! 4P CABLE ISO/IEC 11801 & TIA/EIA 568B STANDARD		
⑤	MINI TIE		1	
④	POLY BAG	PE, COLOR: TRANSPARENT	1	
③	CABLE	FTP CAT.5E CABLE, 26AWG CCA*4PAIR+HMLPET+7*0.16 EARTH WIRE+AL-FOIL+PVC, OD: 5.6" 0.1mm, COLOR: GREY	L	
②	MOLD HOOD	PVC, COLOR: GREY	2	
①	CONNECTOR	CAT.5E RJ45 PLUG, SHIELD, 3U' GOLD PLATED PIN, COLOR: TRANSPARENT	2	
No.	PART NAME	DESCRIPTION	QTY	REMARK

OUTER CARTON FRONT MARK:



GERMANY
C/NO.: 01,02...
MADE IN CHINA

OUTER CARTON SIDE MARK:

PO NO.:
ITEM NO.:
Q TY: PCS
N.W: KGS
G.W: KGS
Dimension:
EAN CODE:

DRAW No.		NAME	CAT.5e F-UTP Patch Cable		
CUSTOMER	2direct GmbH		MAPE	TOLERANCE	
CUSTOMER No.			X.	1.00	
APPROVE BY	CHECK BY	DRAW BY	SCALE	MM	
			PAGE	1/1	