



## Faceplate for Cable Entry, 86 x 86mm

Part no.: CA1070W

### Technical Features

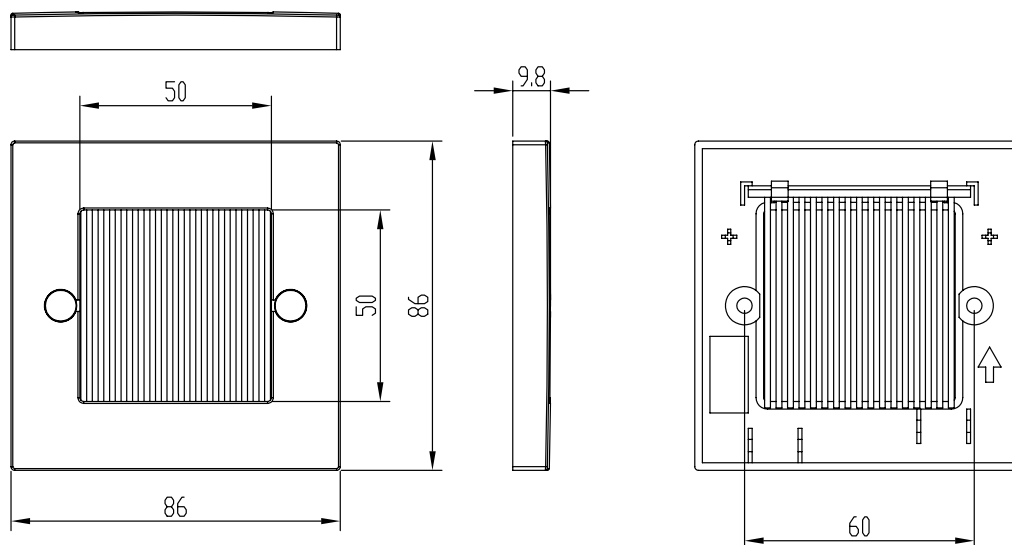
Wall outlet for cable entry

Outer dimension: 86 x 86 x 10mm

With brush: 50 x 50mm

Color: RAL9010 white

### Technical Drawings



CA1070W



4 052792 043716

Made in China

[www.logilink.com](http://www.logilink.com)



RoHS  
compliant

\* The specifications and pictures are subject to change without notice.  
\*All trade names referenced are the registered trademark of their respective owners.

## Package Contents

1 x Faceplate for Cable Entry, 86 x 86mm

## Packaging Informations

Packing Dimension	110 x 110 x 12mm
Packing Weight	0.03kg
Carton Dimension	360 x 320 x 560mm
Carton Q'ty	500pcs
Carton Weight	16kg



CA1070W



4 052792 043716

Made in China

[www.logilink.com](http://www.logilink.com)



RoHS  
compliant

\* The specifications and pictures are subject to change without notice.  
\*All trade names referenced are the registered trademark of their respective owners.